

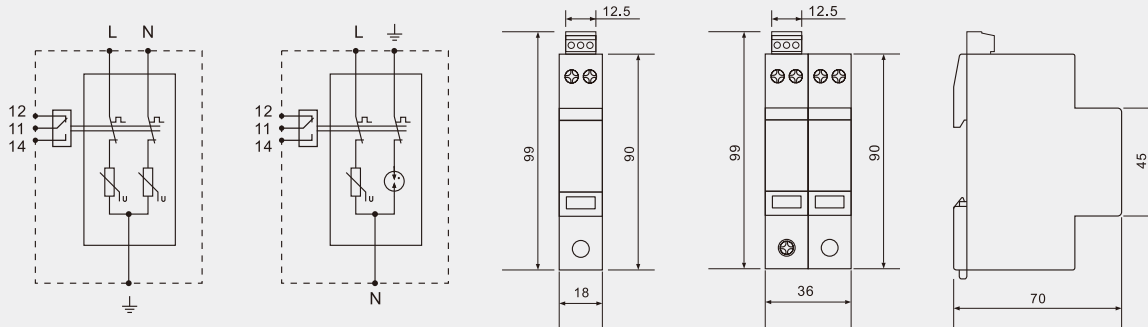


Type 2+3 Surge Arrester

www.britecelectric.com

BR-40DP

Type 2+3 Surge Arrester



- Type 2+Type 3 surge arrester is installed between LPZ1 and LPZ2, it can provide type 3 protection for equipments which installed within 5 meters from these devices.

	BR 275 40DP 4	BR 275 40DP 2	BR 275 40DP 3+1	BR 275 40DP 1+1
SPD classification according to EN61643-11	Type 2+Type 3	Type 2+Type 3	Type 2+Type 3	Type 2+Type 3
SPD classification according to IEC61643-11	Class II+Class III	Class II+Class III	Class II+Class III	Class II+Class III
Max. continuous operating a.c. voltage	Uc	275V	275V	275V
Nominal discharge current (8/20 μ s)	In	20kA	20kA	20kA
Max. discharge current (8/20 μ s)	Imax	40kA	40kA	40kA
Voltage protection level	Up	$\le 1.3kV$	$\le 1.3kV$	$\le 1.3kV/1.5kV$
Voltage protection level 5kA	Up	$\le 1.0kV$	$\le 1.0kV$	$\le 1.0kV/1.5kV$
Combined impulse	Uoc	10kV	10kV	10kV
Max backup fuse		125A gG	125A gG	125A gG
Response time	tA	$\le 25ns$	$\le 25ns$	$\le 25ns$
Operating temperature range	Tu	-40°C-80°C	-40°C-80°C	-40°C-80°C
Operating state/fault indication		green/red	green/red	green/red
Cross-section area (Min.)		2.5mm ²	2.5mm ²	2.5mm ²
Cross-section area (Max.)		16mm ²	16mm ²	16mm ²
For mounting on	35mm Din rail			
Enclosure material	Thermoplastic UL94-V0			
Degree of protection	IP20	IP20	IP20	IP20
Order Code	B8220	B8241	B8243	B8245
Order Code (with remote signal)	B8221	B8242	B8244	B8246

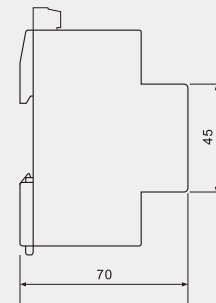
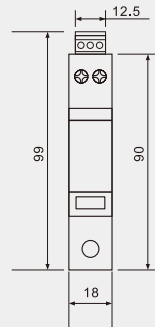
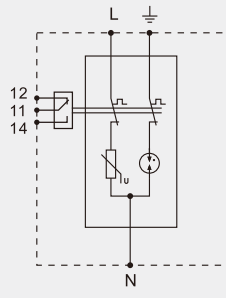
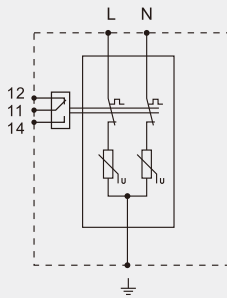


Type 3 Surge Arrester

www.britecelectric.com

BR-20DP

Type 3 Surge Arrester



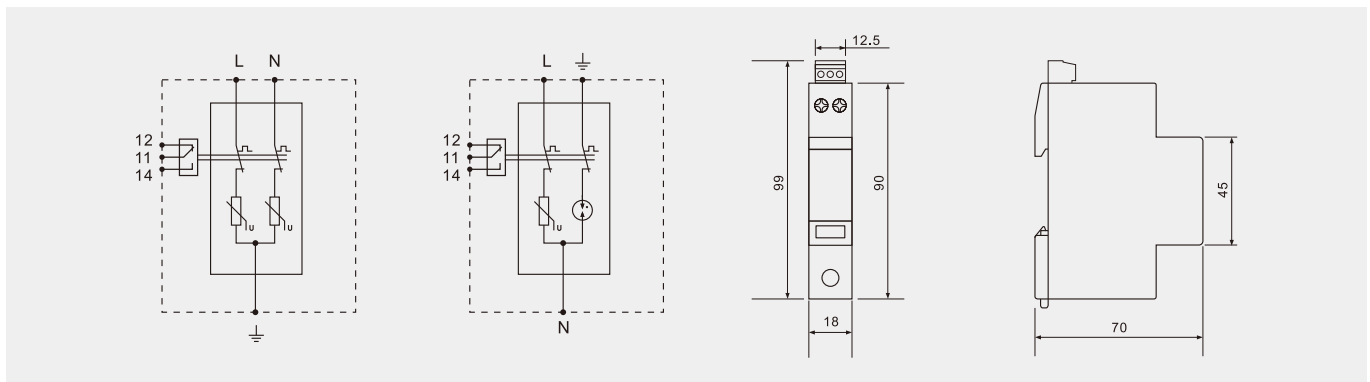
■ Type 3 surge arrester is installed between LPZ2 and LPZ3, it can provide protection for equipments.

	BR30-20DP	BR75-20DP	BR150-20DP	BR275-20DP
SPD classification according to EN61643-11	Type 3	Type 3	Type 3	Type 3
SPD classification according to IEC61643-11	Class III	Class III	Class III	Class III
Normal a.c. voltage	Un	24V	60V	120V
Max. continuous operating a.c. voltage	Uc	30V	75V	150V
Max. continuous operating d.c. voltage	Uc	38V	100V	190V
Nominal discharge current (8/20 μ s)	In	10kA	10kA	10kA
Combined impulse	Uoc	10kV	10kV	10kV
Voltage protection level	Up	≤ 300 V	≤ 600 V	≤ 800 V
Response time	tA	≤ 25 ns	≤ 25 ns	≤ 25 ns
Operating temperature range	Tu	-40°C-80°C	-40°C-80°C	-40°C-80°C
Operating state/fault indication		green/red	green/red	green/red
Cross-section area (Min.)		2.5mm ²	2.5mm ²	2.5mm ²
Cross-section area (Max.)		16mm ²	16mm ²	16mm ²
For mounting on		35mm Din rail	35mm Din rail	35mm Din rail
Enclosure materail	Thermoplastic UL94-V0			
Degree of protection		IP20	IP20	IP20
Order Code	2P	B8345	B8343	B8341
Order Code (with remote signal)	2P	B8346	B8344	B8342
Order Code	1+1	B8353	B8351	B8349
Order Code (with remote signal)	1+1	B8354	B8352	B8350



BR-10DP

Type 3 Surge Arrester

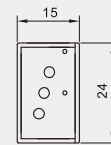
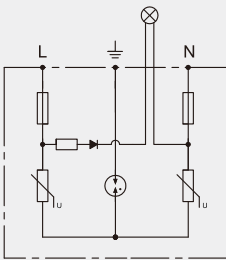
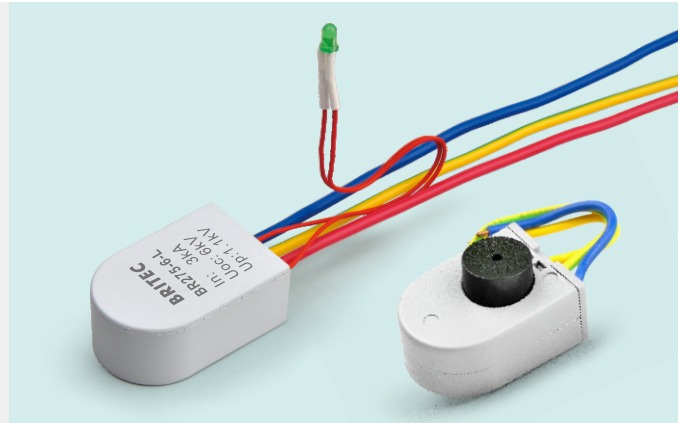


■ Type 3 surge arrester is installed between LPZ2 and LPZ3, it can provide protection for equipments.

	BR30-10DP	BR75-10DP	BR150-10DP	BR275-10DP
SPD classification according to EN61643-11	Type 3	Type 3	Type 3	Type 3
SPD classification according to IEC61643-11	Class III	Class III	Class III	Class III
Normal a.c. voltage	Un	24V	60V	120V
Max. continuous operating a.c. voltage	Uc	30V	75V	150V
Max. continuous operating d.c. voltage	Uc	38V	100V	190V
Nominal discharge current (8/20 μs)	In	5kA	5kA	5kA
Combined impulse	Uoc	10kV	10kV	10kV
Voltage protection level	Up	≤200 V	≤500V	≤700V
Response time	tA	≤25ns	≤25ns	≤25ns
Operating temperature range	Tu	-40°C-80°C	-40°C-80°C	-40°C-80°C
Operating state/fault indication		green/red	green/red	green/red
Cross-section area (Min.)		2.5mm ²	2.5mm ²	2.5mm ²
Cross-section area (Max.)		16mm ²	16mm ²	16mm ²
For mounting on		35mm Din rail	35mm Din rail	35mm Din rail
Enclosure material	Thermoplastic UL94-V0			
Degree of protection		IP20	IP20	IP20
Order Code	2P	B8237	B8235	B8359
Order Code (with remote signal)	2P	B8238	B8236	B8234
Order Code	1+1	B8337	B8335	B8333
Order Code (with remote signal)	1+1	B8338	B8336	B8334

BR275-6

Type 3 Surge Arrester



■ Type 3 surge arrester is installed between LPZ2 and LPZ3, it can provide protection for equipments.

		BR275-6-L	BR275-6-B
SPD classification according to EN61643-11		Type 3	Type 3
SPD classification according to IEC61643-11		Class III	Class III
Normal a.c. voltage	Un	230V	230V
Max. continuous operating a.c. voltage	Uc	275V	275V
Max. continuous operating d.c. voltage	Uc	300V	300V
Nominal discharge current (8/20 μs)	In	3kA	3kA
Combined impulse	Uoc	6kV	6kV
Voltage protection level	Up	≤1200V	≤1200V
Response time	tA	≤25ns	≤25ns
Operating temperature range	Tu	-40°C-80°C	-40°C-80°C
Operating state/fault indication		LED	BEEP
For mounting on		35mm Din rail	35mm Din rail
Enclosure material		Thermoplastic UL94-V0	Thermoplastic UL94-V0
Degree of protection		IP20	IP20
Order Code		B8355	B8357