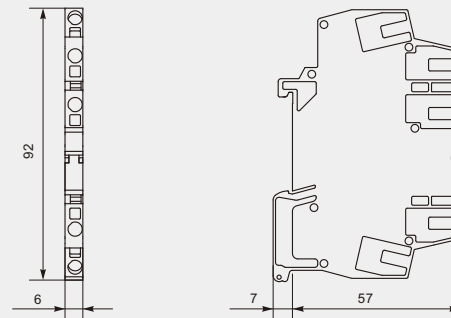
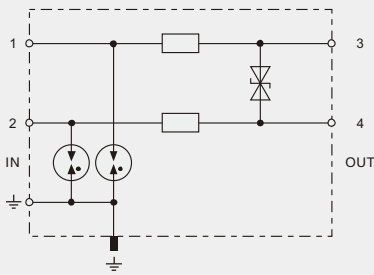


SPDs for general BR-MD



	BR-MD-12	BR-MD-24	BR-MD-48	BR-MD-110	
Test standards	IEC 61643-21	IEC 61643-21	IEC 61643-21	IEC 61643-21	
SPD class	TYPE2 P1	TYPE2 P1	TYPE2 P1	TYPE2 P1	
Nominal voltage	Un	12V	24V	48V	110V
Max. continuous operating d.c. voltage	Uc	14V	33V	55V	170V
Max. continuous operating a.c. voltage	Uc	9.5V	23V	38.5V	120V
Nominal current at 45°C	IL	0.5A	0.5A	1.7A	0.5A
C2 Total nominal discharge current (8/20µs)	In	10kA	10kA	10kA	10kA
C2 Nominal discharge current (8/20µs) per line	In	5kA	5kA	5kA	5kA
Voltage protection level line–line for In C2	Up	≤25V	≤50V	≤100V	≤260V
Voltage protection level line–PG for In C2	Up	≤750V	≤750V	≤750V	≤750V
Voltage protection level line–line at 1 kV/µs C3	Up	≤19V	≤45V	≤70V	≤230V
Voltage protection level line–PG at 1 kV/µs C3	Up	≤650V	≤650V	≤650V	≤650V
Series impedance per line		1.8 Ohm	1.8 Ohm	0.4 Ohm	1.8 Ohm
Cut-off frequency line–PG	fG	2.5 MHz	6 MHz	10 MHz	16 MHz
Capacitance line–line	C	≤2.4 nF	≤1 nF	<0.6 nF	<0.4 nF
capacitance line–PG	C	≤5 pF	≤5 pF	<10 pF	<5 pF
Operating temperature range	Tu	–40°C...+80°C	–40°C...+80°C	–40°C...+80°C	–40°C...+80°C
Cross section of cable		0.08–2.5mm ²	0.08–2.5mm ²	0.08–2.5mm ²	0.08–2.5mm ²
Enclosure material	polyamide PA 6.6				
Degree of protection (plugged-in)	IP 20	IP 20	IP 20	IP 20	
Order Code	D9151	D9152	D9153	D9154	