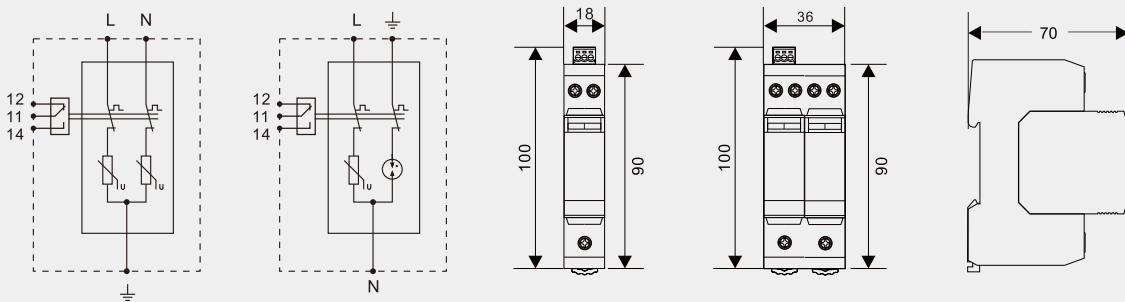


BR-40DP

Type 2+3 Surge Arrester



■ Type 2+Type 3 surge arrester is installed between LPZ1 and LPZ2, it can provide type 3 protection for equipments which installed within 5 meters from these devices.

	BR 275 40DP 4	BR 275 40DP 2	BR 275 40DP 3+1	BR 275 40DP 1+1
SPD classification according to EN61643-11	Type 2+Type 3	Type 2+Type 3	Type 2+Type 3	Type 2+Type 3
SPD classification according to IEC61643-11	Class II+Class III	Class II+Class III	Class II+Class III	Class II+Class III
Max. continuous operating a.c. voltage	Uc	275V	275V	275V
Nominal discharge current (8/20 μs)	In	20kA	20kA	20kA
Max. discharge current (8/20 μs)	I _{max}	40kA	40kA	40kA
Voltage protection level	Up	≤ 1.3kV	≤ 1.3kV	≤ 1.3kV/1.5kV
Voltage protection level 5kA	Up	≤ 1.0kV	≤ 1.0kV	≤ 1.0kV/1.5kV
Combined impulse	Uoc	10kV	10kV	10kV
Max backup fuse		125A gG	125A gG	125A gG
Response time	t _A	≤ 25ns	≤ 25ns	≤ 25ns
Operating temperature range	T _u	-40°C-80°C	-40°C-80°C	-40°C-80°C
Operating state/fault indication		green/red	green/red	green/red
Cross-section area (Min.)		2.5mm ²	2.5mm ²	2.5mm ²
Cross-section area (Max.)		16mm ²	16mm ²	16mm ²
For mounting on	35mm Din rail			
Enclosure material	Thermalplastic UL94-V0			
Degree of protection	IP20	IP20	IP20	IP20
Order Code	B18220	B18241	B18243	B18245
Order Code (with remote signal)	B18221	B18242	B18244	B18246